



VN	VIETNAM
----	---------

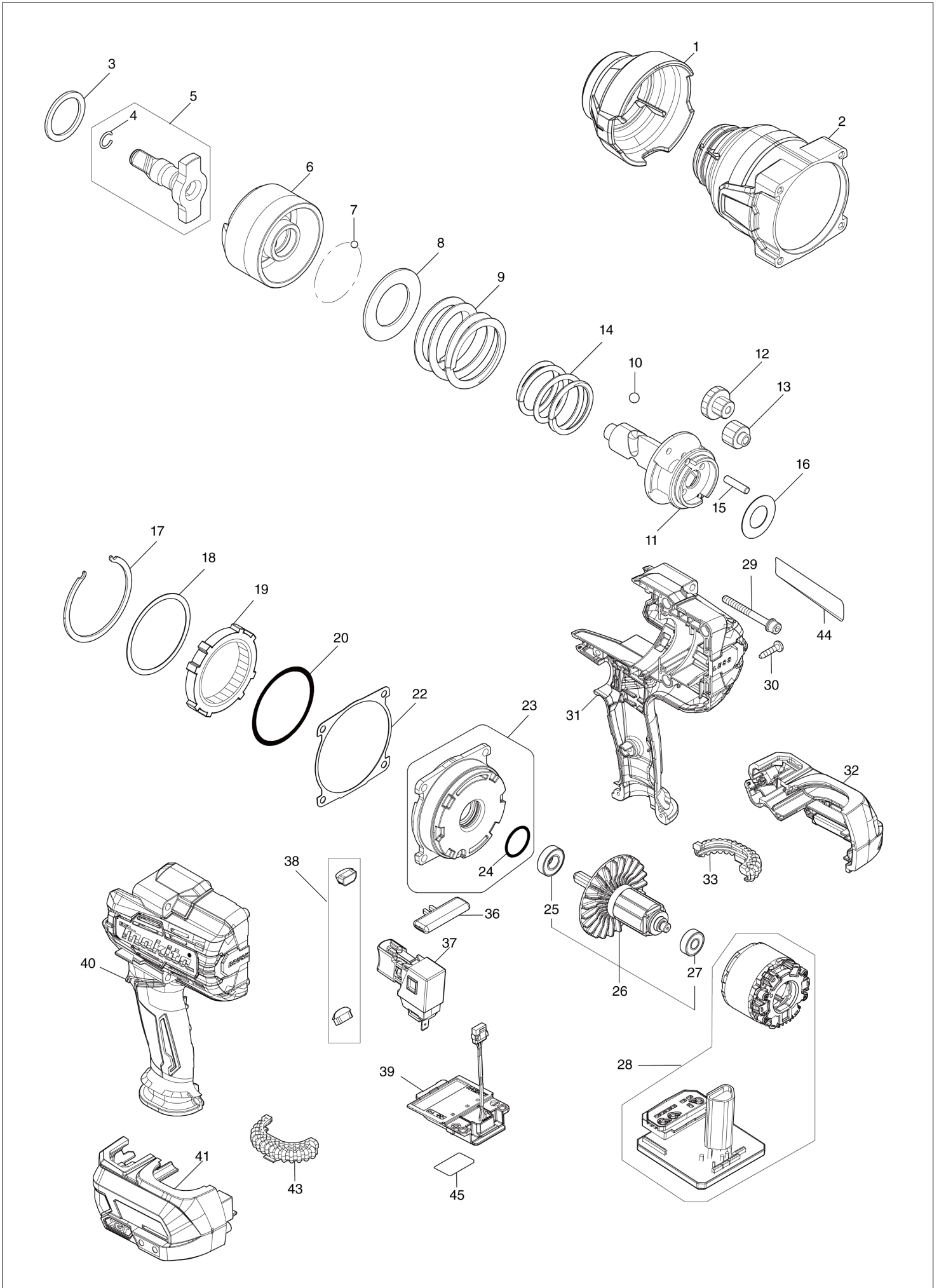
Diagram / Parts List

TW002G

CORDLESS IMPACT WRENCH



(VN) TW002G / CORDLESS IMPACT WRENCH



VN	VIETNAM
-----------	----------------

TW002G / CORDLESS IMPACT WRENCH

Item	Sub	Parts No.	Parts Description	Qty	I/C	E/C No.	Close No.	Remark
001		422594-9	BUMPER	1				
002		141V80-0	HAMMER CASE COMPLETE	1				
003		267250-2	FLAT WASHER 30	1				
004		232323-0	RING SPRING 10	1				
005		137152-5	ANVIL W ASS'Y	1				
	D10		INC. 4					
006		327D63-8	HAMMER	1				
007		216002-8	STEEL BALL 4.8	27				
008		253604-9	FLAT WASHER 35	1				
009		232869-6	COMPRESSION SPRING 46	1				
010		216009-4	STEEL BALL 7.1	2				
011		327D62-0	SPINDLE	1				
012		226990-1	SPUR GEAR 11-22	2				
013		227935-2	SPUR GEAR 15	2				
014		232870-1	COMPRESSION SPRING 34	1				
015		268238-5	PIN 5	4				
016		267235-8	FLAT WASHER 18	1				
017		346947-7	RETAINER	1				
018		253479-6	FLAT WASHER 57	1				
019		226991-9	INTERNAL SPUR GEAR 50	1				
020		213663-5	O RING 55	1				
022		422595-7	GASKET	1				
023		136279-8	INTERNAL GEAR CASE ASS'Y	1				
	D10		INC. 24					
024		213961-7	O RING 22	1				
025		210069-8	BALL BEARING 6900DDW	1				
026		510604-5	ROTOR ASSY	1				
	D10		INC. 25,27					
027		210169-4	BALL BEARING 607LLB	1				
028		520195-8	STATOR ASSY 36V	1				
	C10	8012S9-8	SWITCH LABEL	1				
029		265B38-6	H. S. HEAD BOLT M5X50 WITH WRM	4				
030		265995-6	TAPPING SCREW 4X18	9			DV256	
030-1		265E16-4	TAPPING SCREW 4X18	9	<	DV256		
031		1830R8-6	HOUSING SET	1			DV256	
	D10		INC. 40				DV256	
031-1		1831B9-8	HOUSING SET	1	<	DV256		
	D10		INC. 40			DV256		
032		183S33-5	BATTERY HOUSING SET	1				
	C10	263005-3	RUBBER PIN 6	2				
	C20	252126-6	HEX. LOCK NUT M4-7	4				
	D10		INC. 41					
033		422A55-5	CUSHION RUBBER	1				
036		456268-0	F/R CHANGE LEVER	1				
037		141V82-6	SWITCH COMPLETE	1				
	C10	424774-3	SWITCH COVER	1				
038		620N85-0	LED CIRCUIT	1				
039		632P49-4	TERMINAL UNIT	1				
040		1830R8-6	HOUSING SET	1			DV256	
	D10		INC. 31				DV256	
040-1		1831B9-8	HOUSING SET	1	<	DV256		
	D10		INC. 31			DV256		
041		183S33-5	BATTERY HOUSING SET	1				
	C10	263005-3	RUBBER PIN 6	2				
	C20	252126-6	HEX. LOCK NUT M4-7	4				
	D10		INC. 32					
043		422A55-5	CUSHION RUBBER	1				
044		8145L6-4	TW002G NAME PLATE	1				
045		8145L8-0	TW002G SERIAL NO. LABEL	1				
A01		251314-2	+ SCREW M4X12	2				
A02		346949-3	HOOK	1				
A03B		821551-8	CONNECTOR PLASTIC CASE (TYPE3)	1				
	C10	453974-8	LATCH	4				
A04B		835K85-1	INNER TRAY	1				
A05B		***DC40RA	DC40RA FAST CHARGER	1				

A:TW002GZ(N)
B:TW002GM201(H)

Interchange
O : Yes
X : No
< : the new part can be substituted for the current.
> : the current part can be substituted for the new.
S : Interchangeable as a set.

